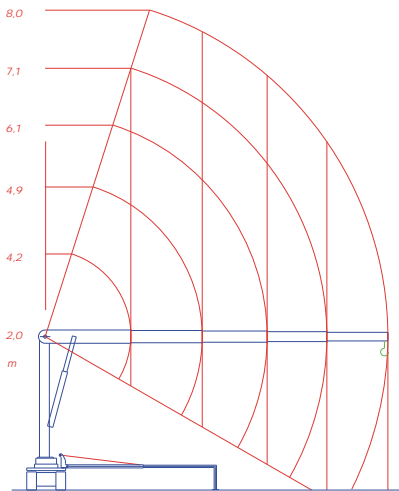


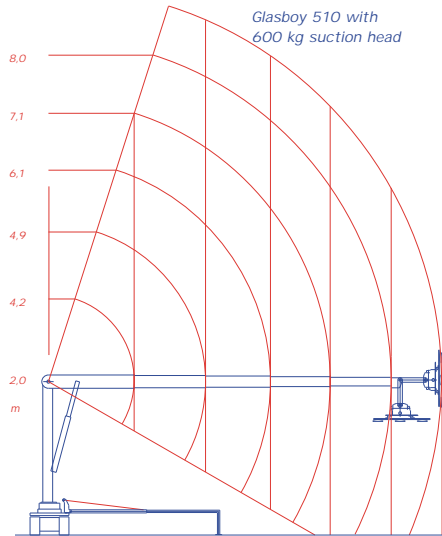
Glasboy 510

Glasboy 510 with 600 kg suction head

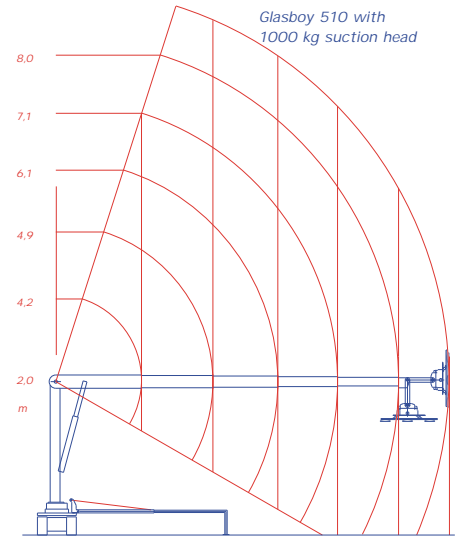
Glasboy 510 with 1000 kg suction head



m	1.7	3.1	4.4	5.7	6.7
kg	2900	1650	1120	850	700



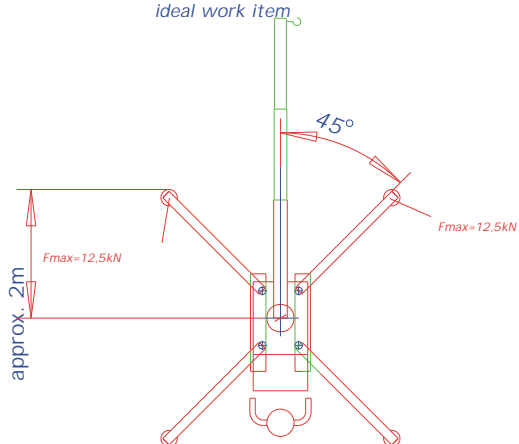
m	1.7	3.1	4.4	5.7	6.7	7.5
kg	600	600	600	600	500	410



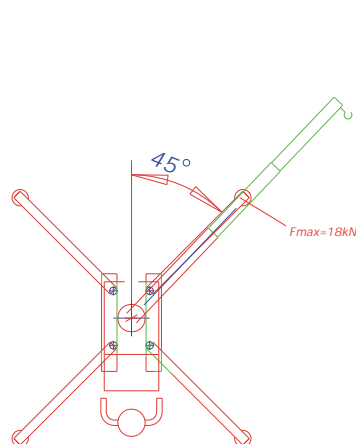
m	1.7	3.1	4.4	5.7	6.7	7.5
kg	1000	1000	920	650	500	410

Tragkraft kg bei Ausladung m

favourable contact pressure per unit area ideal work item



unfavourable contact pressure per unit area



operating range

