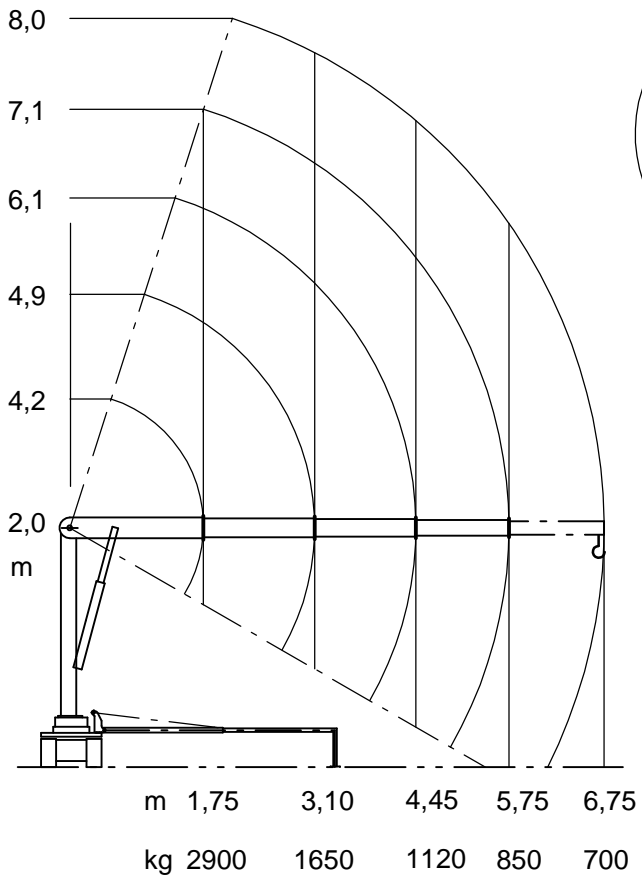
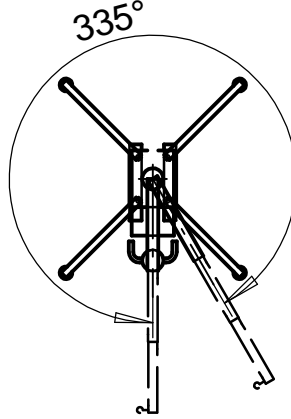


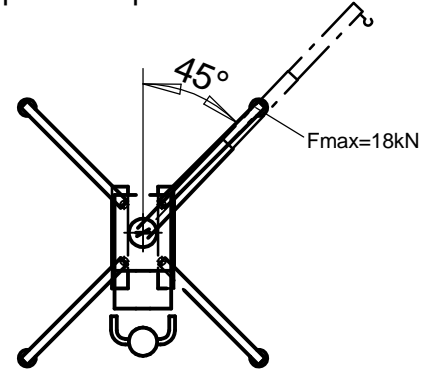
Glasboy 510



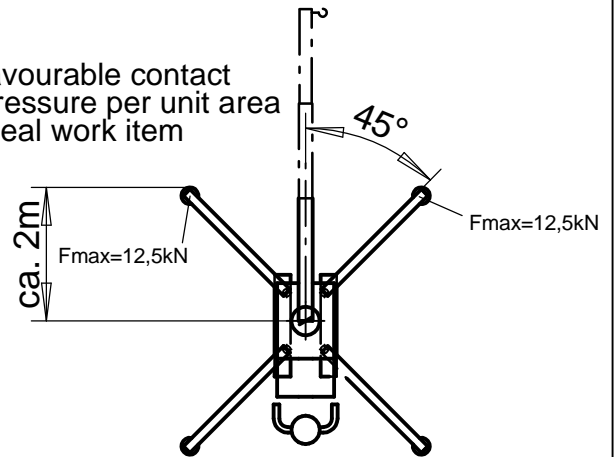
operating range



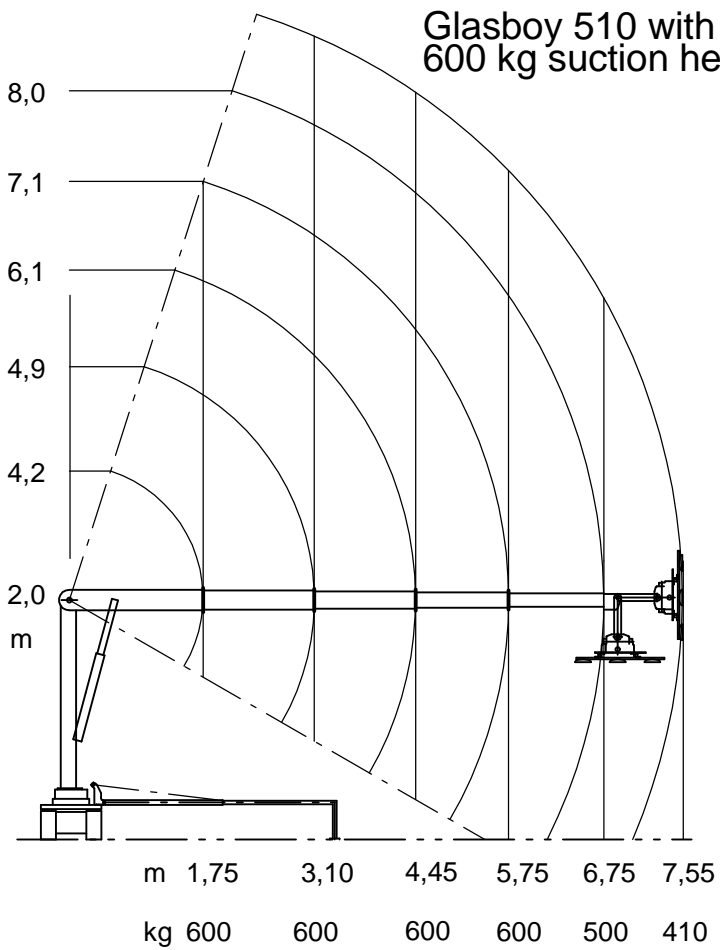
unfavourable contact pressure per unit area



favourable contact pressure per unit area ideal work item



Glasboy 510 with 600 kg suction head



Glasboy 510 with 1000 kg suction head

